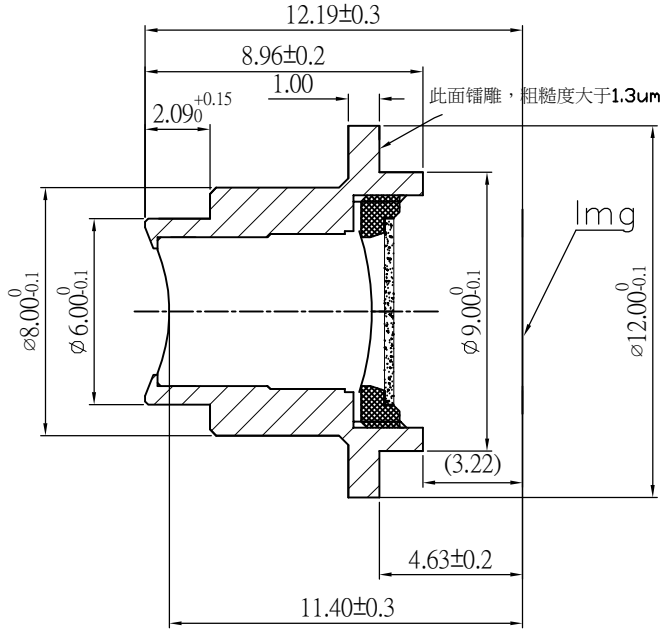


# YT-7612-A7 Lens Specification

云泰型号: YT-7612-A7	
客户型号:	
MAX Img-Circle (mm)	∅6.8
EFL (mm)	5.76
F/NO.	2.4
Optical TTL	11.40
Mechanical TTL	12.19
BACK FOCAL LENGTH	4.87
FLANGE BACK LENGTH	3.22
TV DISTORTION	-5.6%
RELATIVE ILLUMINATION	65%
CRA	20°
Pixel Size (μm)	3*3
Storage At Temperature	-40°C~85°C
Recent Camera Distance	0.3M
Infrared	
WAVELENGTH	∅940±10nm T>85%
Dust Level	IPXX
STRUCTURE	5G+IR
REV.	00
REVISION HISTORY	
2024/03/05	NEW

∅V2311	1600*1300
D(∅6.18)	65.4°
H(∅4.8)	48.8°
V(∅3.9)	39°



注：未注公差±0.05

REV	DESCRIPTION	DATE	NAME	NAME	YT-7612-A7-SPEC	SCALE		DRAWN	黄光深
①				VIEW	☐ ⊙	REV	00	CHECKED	
②				Wintop Optics		DATE	2024.03.16	APPROVED	
③						BORDER			
④									